

THIS DRAWING IS UNPUBLISHED.

RELEASED FOR PUBLICATION

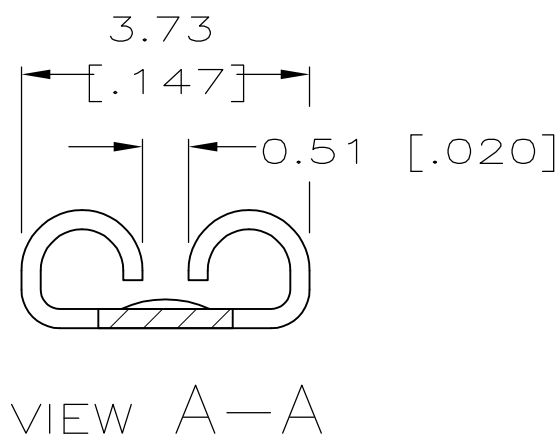
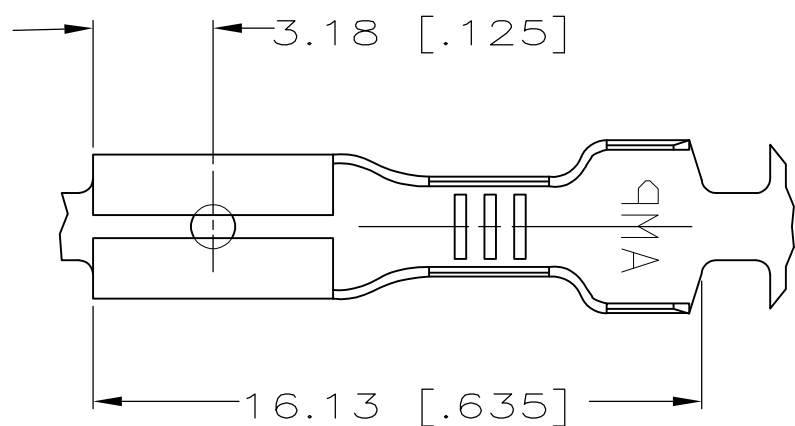
ALL RIGHTS RESERVED.

© COPYRIGHT - By -

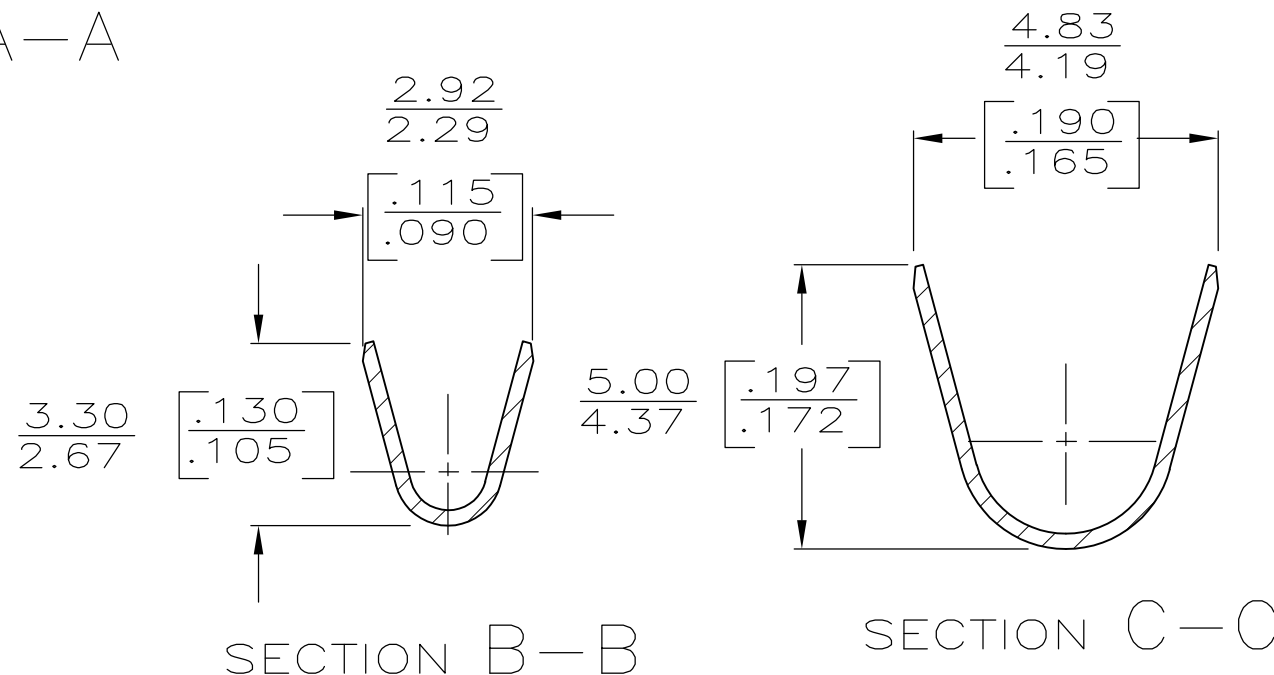
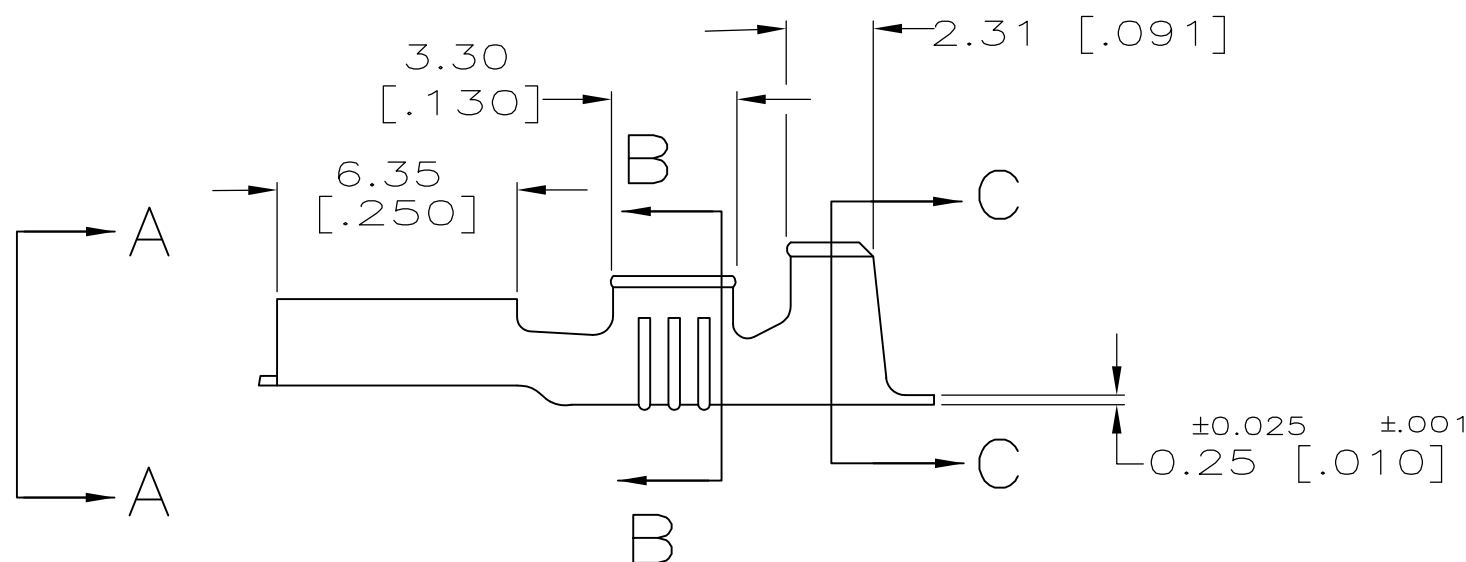
LOC AF DIST 50

REVISIONS

P	LTR	DESCRIPTION	DATE	DWN	APVD
	C	REVISED PER ECR-12-013518	23NOV2012	KH	PD



1 CONTINUOUS STRIP ON REELS.



3.05-3.56 DIA [.120-.140] DIA	0.5-1.3mm ² [20-16] AWG	0.81 [.032]	63703-1
INSUL RANGE	WIRE SIZE	MATING TAB THK ±0.025 [.001]	PART NO

THIS DRAWING IS A CONTROLLED DOCUMENT.		DWN JR RUTH 6/17/93	TE Connectivity RECEPTACLE, FASTON,™ 2.79 [.110] SERIES					
DIMENSIONS: mm [INCHES]		CHK MS FEHER 6/17/93				NAME		
TOLERANCES UNLESS OTHERWISE SPECIFIED:		APVD P DESANTIS 6/17/93				PRODUCT SPEC		
0 PLC ± - 1 PLC ± - 2 PLC ± 0.25 [.010] 3 PLC ± - 4 PLC ± - ANGLES ± -		APPLICATION SPEC				RESTRICTED TO		
MATERIAL BRASS		FINISH PRE-TIN	114-2036	SIZE A3	CAGE CODE 00779	DRAWING NO C-63703		
CUSTOMER DRAWING			WEIGHT -	SCALE 5:1	SHEET 1 OF 1	REV C		